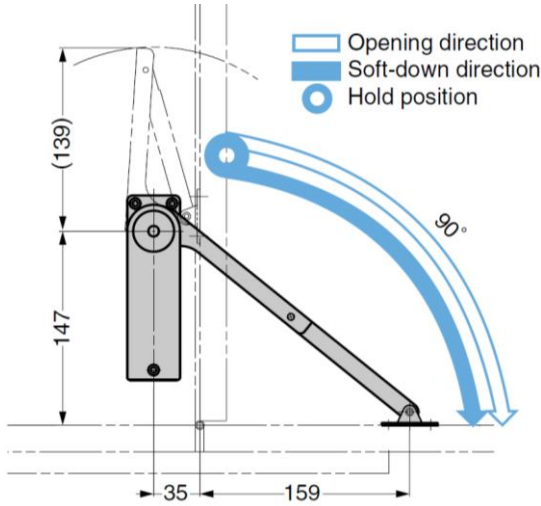
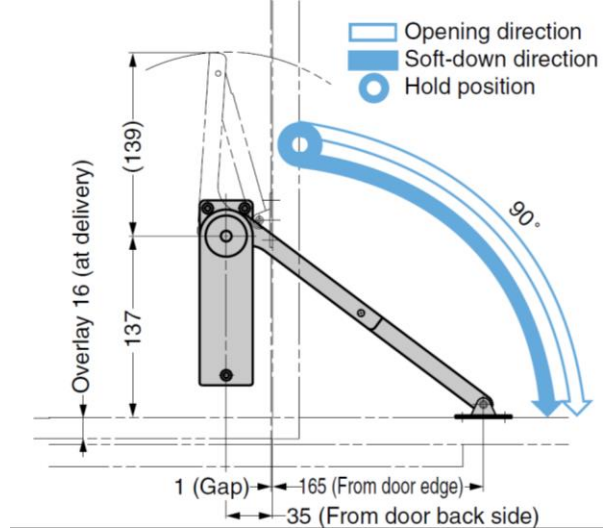


Installation Illustration: Left side installation for downward-opening 90°. Right side installation is symmetrical

With piano / butt hinge



With drop hinge



Part No.	Type	Material	Finish	Model	Maximum Door Moment (per pair)	
GHDS-10KL-BL	Left-handed	ABS / Steel	Nickel / Black	K	13.7 ~ 19.5 N.m	140 ~ 199 kgf.cm
GHDS-10KR-BL	Right-handed		Nickel / White			
GHDS-10KL-WT	Left-handed		Nickel / Black	M	19.6 ~ 24.4 N.m	200 ~ 249 kgf.cm
GHDS-10KR-WT	Right-handed		Nickel / White			
GHDS-10HL-BL	Left-handed		Nickel / Black	H	24.5 ~ 29.4 N.m	250 ~ 300 kgf.cm
GHDS-10HR-BL	Right-handed		Nickel / White			
GHDS-10HL-WT	Left-handed					
GHDS-10HR-WT	Right-handed					